



AGRICUBE

**Tractors
for Specialists**



**Frutteto
Frutteto Largo**

Frutteto – Frutteto Largo

NEW

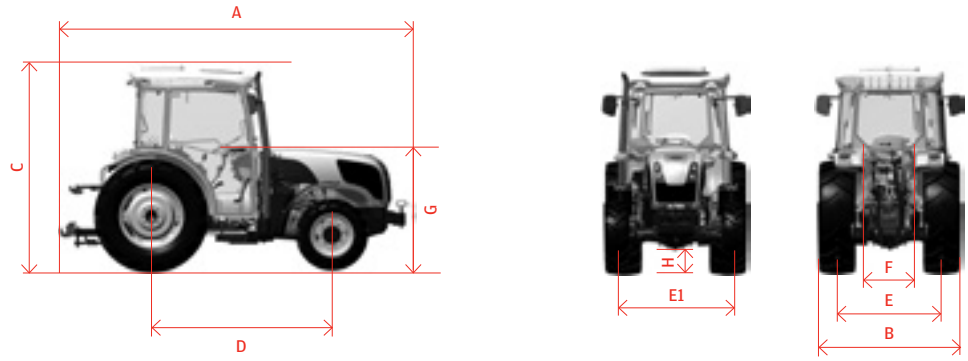
- › 42 standard configurations
- › 3 transmission versions
- › 5 power regimes
- › New TIIIB - FPT 3400cc engine
- › DPF device outside hood in order to maintain the compact dimensions of the tractor
- › Electro-hydraulic distributors (as option)
- › Steering angle sensor (as option)
- › Axle width 1,640 mm (as option for FL)
- › 4WD engagement with discs in oil bath (as option)
- › Dual RPM memory

MODEL	75	85	95	105	115
Maximum power ISO kW	55.0	62.3	67.9	75.9	77.0
Maximum power ISO HP	74.8	84.7	92.3	103.2	104.7
Maximum power revolutions rpm	2,300	2,000	2,000	2,000	2,000 - 2,300
Maximum torque Nm	309	334	366	406	403
Maximum torque revolutions rpm	1,500	1,400	1,500	1,600	1,600

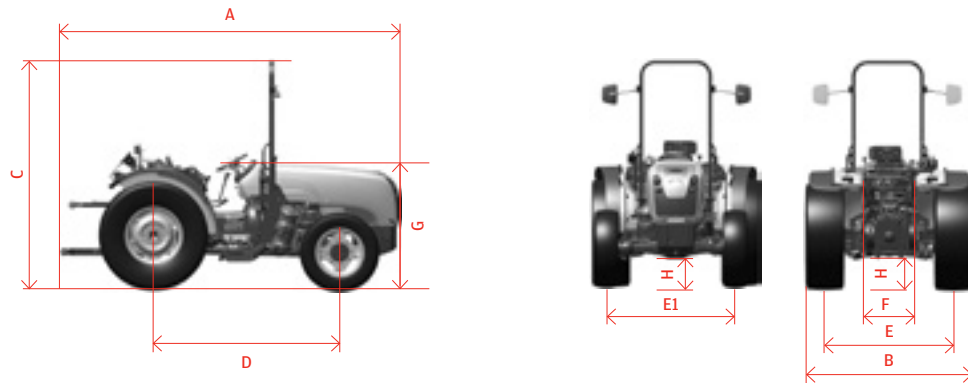
	F	FL
ENGINE		
Engine, manufacturer	FPT - F34 (STAGE 3B) - 3,400 cm ³	FPT - F34 (STAGE 3B) - 3,400 cm ³
Number of cylinders/Configuration	4 • turbo intercooler • 2 valves per cylinder • Common rail 1600 bar • EGR valve DOC + DPF pollution reduction system	
Cooling system	Liquid	Liquid
Fuel tank capacity	74 l	74 l
Tank capacity with front PTO	52.3 l	52.3 l
Auxiliary tank capacity (as option)	19 l	19 l
Exhaust	Horizontal	Horizontal
ELECTRICAL SYSTEM		
Battery	100 Ah	100 Ah
Alternator	80 A	80 A
Starter motor	4.2 kW	4.2 kW
TRANSMISSION		
24 + 24 24 forward gears 24 reverse gears	Gear levers: Lateral • Gearbox: 4 gear synchro • Range: 3 gear range L/M/Hi HI-LO: mechanical • Shuttle: mechanical Minimum speed of tractor: 0.5 km/h with rear wheels 420/70R28 Maximum speed of tractor: 40 km/h with rear wheels 420/70R28	
24 + 24 (only for Model F) 24 forward gears 24 reverse gears	Gear levers: Lateral • Gearbox: 4 gear synchro • Range: 3 gear range L/M/Hi HI-LO: hydraulic • Shuttle: mechanical Minimum speed of tractor: 0.5 km/h with rear wheels 420/70R28 Maximum speed of tractor: 40 km/h with rear wheels 420/70R28	
24 + 12 24 forward gears 12 reverse gears	Gear levers: Lateral • Gearbox: 4 gear synchro • Range: 3 gear range L/M/Hi HI-LO: hydraulic • Shuttle: System Minimum speed of tractor: 0.5 km/h with rear wheels 14.9R28 Maximum speed of tractor: 40 km/h with rear wheels 14.9R28	
MECHANICAL POWER TAKE-OFF		
Speed (dry disc clutch)	540/540 E - 540/1,000	540/540 E - 540/1,000
Synchro PTO	As option	As option

	F	FL
ELECTRO-HYDRAULIC PTO		
Speed	540/540 E - 540/1,000	540/540 E - 540/1,000
Synchro PTO	Standard	Standard
CLUTCH		
Independent, dry with dual disc in cerametallic material	12"	12"
BRAKES		
Control	Mechanical and hydraulic, 10 discs in oil bath	Mechanical and hydraulic, 10 discs in oil bath
DIFFERENTIAL GEAR LOCK, REAR		
Type	Mechanical, with electro-hydraulic engagement	Mechanical, with electro-hydraulic engagement
FRONT AXLE		
Maximum steering angle	52°	55°
Flange distance	1,325 mm	1,460 mm or 1,640 mm
4WD engagement	Electro-hydraulic	Electro-hydraulic
Differential	Limit slip	Limit slip
REAR AXLE		
Type	Planetary with 6:1 ratio	Planetary with 6:1 ratio
Flange distance	1,242 mm	1,540 mm
HYDRAULIC SYSTEM		
Pump capacity (l/min)	With 2 pumps (standard): 66.8 + 29.8 With 3 pumps (as option): 66.8 + 29.8 + 29.8	
Distributors	2-3-4 mechanical distributors/ 4 electro-hydraulic distributors	
THREE-POINT HITCH AND LIFTER		
Maximum lifting capacity	2,600 kg (standard) - 3,000 kg (as option)	2,600 kg (standard) - 3,000 kg (as option)
Lifting	Mechanical with position, draft and mixed control (standard) - Electronic (as option)	
Three-point hitch	Cat. 1/1N/2	Cat. 2
Parallel	With fixed knee-joint, Cat. 2 With knee-joint, adjustable, Cat. 1/1N/2 With quick coupler, adjustable, Cat. 2/1/1N	With fixed knee-joint, Cat. 2 With quick coupler, adjustable, Cat. 2
TOW HOOKS		
With lynchpins/ Sliding	Category Cuna C (standard), Category Cuna C + D2 (as option)	
FRONT WEIGHTS		
As option	4 elements x 25 kg (100 kg) 6 elements x 25 kg (150 kg) 10 elements x 25 kg (250 kg)	4 elements x 25 kg (100 kg) 6 elements x 25 kg (150 kg) 10 elements x 25 kg (250 kg) 10 elements x 30 kg (300 kg)
DRIVER'S SEAT PLATFORM		
Platform	Suspended, soundproofed, on 4 silent blocks	
Protection arch	Front, fold-down	Front, fold-down
Steering wheel	Fixed (standard), Telescopic and reclinable (as option)	
Seat	Suspended, mechanical, in PVC (standard), suspended seat, pneumatic, in PVC (as option)	
Mirrors	1 LH telescopic rear-view mirror (standard) 1 RH telescopic rear-view mirror (as option)	
Operator's Manual	In Italian/English	In Italian/English
CAB DRIVER'S SEAT		
Cab	Suspended, soundproofed, on 4 silent blocks, heated and air conditioned (as option)	
Steering wheel	Fixed (standard), Telescopic and reclinable (as option)	
Seat	Suspended, mechanical, in fabric (standard), suspended seat, pneumatic, in fabric (as option)	
Mirrors	Two external rear-view mirrors, RH and LH side - 1 internal mirror (as option)	
Operator's Manual	In Italian/English	In Italian/English

F - FL CAB



F - FL OOS



	F	FL
Dimensions with front wheels	300/70R20	320/70R20
Dimensions with rear wheels	420/70R28	480/65R28
A	Overall length	3,950 mm
B	Overall max and min	1,944 mm/1,544 mm
C	Height with roll-bar raised (CAB)	2,653 mm (2,478 mm)
D	Wheelbase	2,124 mm
E1	Front wheel gauge	1,602 mm/1,129 mm
E	Rear wheel gauge	1,514 mm/1,114 mm
F	Internal fender width	600 mm
G	Maximum hood height	1,400 mm
H	Front and rear ground clearance	316 mm (front) / 270 mm (rear)
Total weight.	Without driver and front weights	2,875 kg
		3,050 kg (CAB)
	Tyres can be provided as an optional extra	Front 280/70R20 Rear 420/70R24 Front 280/70R20 Rear 380/70R28
		Front 300/70R20 Rear 420/70R28 Front 280/70R18 Rear 420/70R24

The information in this publication is provided for purely illustrative purposes; the manufacturer reserves the right to modify the models described without prior notice. Drawings and photographs may refer to optional equipment or special options for other countries. For all other information, contact our sales network.

Carraro Tractors
Viale del lavoro, 1
45100 Rovigo
Italy

T +39 0425 403611
F +39 0425 403674
info@carrarotracors.com



carrarotracors.com