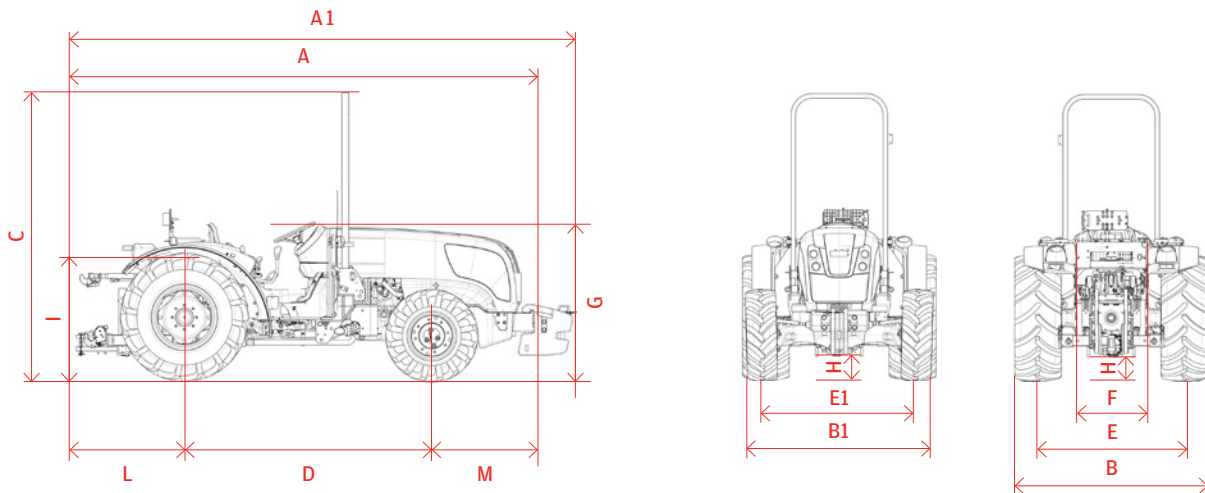


Agricube Dimensions and Weights

Frutteto Basso



Dimensions with 260 / 70R16 front tyre - 380 / 70R20 rear tyre

A	Total length	3,864 mm
A1	Total length with weights	4,172 mm
B	Max. and min. total rear measurement	1,868 mm / 1,418 mm
B1	Max. and min. total front measurement	1,672 mm / 1,556 mm
C	Height with raised roll bar	2,390 mm
D	Wheel base	2,074 mm
E1	Front track width	1,257 mm / 1,373 mm
E	Rear track width	1,024 mm / 1,474 mm
F	Mudguard internal width	600 mm
G	Maximum hood height	1,250 mm
H	Clearance from soil, front and rear	230 mm (fore) / 210 mm (rear)
I	Driver seat height	1,000 mm
L	Rear overhang	940 mm
M	Front overhang	856 mm
Total weight	Without driver and without weights	2,600 kg

Agricube Technical Data

Frutteto Basso

	80 FB	90 FB
ENGINE		
Engine manufacture	FPT	FPT
Engine name	F5C (EURO IIIA)	F5C (EURO IIIA)
Displacement	3,200 cm ³	3,200 cm ³
Number of cylinders / Configuration	4 turbo	4 turbo intercooler
Cooling system	Liquid cooled	Liquid cooled
Maximum power ISO kW/hp	55 / 74.8	65 / 88.4
PTO power ISO kW/hp	46 / 62	55 / 75
Rated engine speed	2,300	2,300
Maximum torque speed	1,250	1,300
Maximum torque	310 Nm @ 1,250 rpm	350 Nm @ 1,250 rpm
Torque rise	37%	36%
Fuel tank capacity	71 l	71 l
Fuel tank capacity with front PTO	52.3 l	52.3 l
Exhaust	Horizontal	Horizontal
Battery	100 Ah	100 Ah
Alternator	80 A	80 A
Engine start	4.2 kW	4.2 kW
TRANSMISSION		
24 + 24 24 front 24 rear	Gear levers: Lateral • Gear box: 4 gear synchro • Range: 3 gear range L/M/Hi • HI-LO: mechanical • Reverser: mechanical Minimum tractor speed: 0.5 km/h with 24" rear tyre Maximum tractor speed: 42 km/h with 24" rear tyre	
MECHANICAL POWER TAKE-OFF SERVO CONTROLLED		
Speed option (dry disk clutch)	540/540 E - 540/1,000	
Ground drive PTO	Option	
Speed indicator on dashboard	Base	
CLUTCH		
Dry independent with cerametallic double disk	11"	
BRAKES		
Control	Mechanical and hydraulic, 10 disks in oil bath	
DIFFERENTIAL LOCK		
Type	Mechanical	
Actuation	Electrohydraulic	
FRONT AXLE		
Maximum steering angle	52°	
Tilt angle	7°	
Flange distance	1,325 mm	
4WD actuation	Electrohydraulic	
Differential lock	Self-locking	

REAR AXLE	
Type	Epiciclic
Ratio	6:1
Flange distance	1,242 mm
HYDRAULIC SYSTEM	
Pump capacity (lt/min) - base	64.7 + 28.8
Distributors	Flow control + 1 SE/DE + 1 SE/DE floating
REAR THREE POINT HITCH AND LIFT CAPACITY	
Maximum lift capacity	2,400 kg
Lift	Mechanical with position, draft and mix control
Category	2/1/1N
Lower links	Quick coupling, adjustable
FRONT THREE POINT HITCH AND LIFT CAPACITY / PTO	
Maximum lift capacity	1,500 kg
PTO	1,100 rpm
TOW HOOKS FOR ITALY	
Pins (base), sliding (optional)	Category Cuna C (basic supply), Category Cuna C + D2 (optional)
GANCI TRAINO EXPORT	
Pins (base), sliding (optional)	Category EC
FRONT WEIGHTS (ACCORDING TO TYPE OF TYRE *)	
Option	4 elements × 30 kg (120 kg), 6 elements × 30 kg (180 kg)
Option	10 elements × 30 kg (300 kg), 12 elements × 30 kg (360 kg)
DRIVER SEAT OOS	
Platform	Suspended, soundproofed, on 4 silent blocks
Front rops	Front tiltable roll bar
Steering wheel	Fixed
Seat	Mechanical suspended seat in PVC
Mirror	LH Rearview mirror (base) RH Rearview mirror (option)
Dashboard	Multifunction
Operator's manual	English/Italian version

*** OPTIONAL TYRE COMBINATION**

Front 280/70R16 - Rear 380/70R24

Front 280/70R16 - Rear 360/70R24